

# ELECTRONIC PRECISION BALANCES

TOUCH  
SCREEN

INTERNAL  
CALIBRATION

DATA  
OUTPUT

- Built-in calibration weights, automatic internal calibration
- Large touchscreen display
- Weighing, counting, taring, percentage display, density detection
- Aluminium alloy shell, wind shield, three side glass sliding doors
- Unit: g, ct, ozt, oz, gn, dwt, mg
- Electromagnetic balanced sensor
- With a hook at the bottom
- Data output



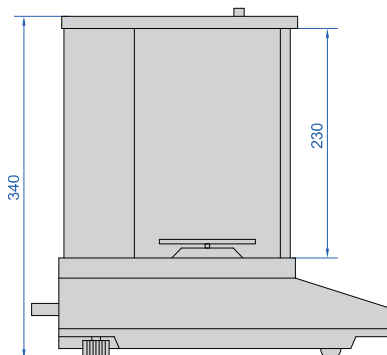
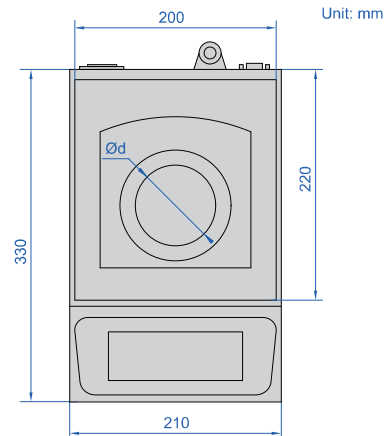
class F1 calibration weight  
(included)



printer (optional)



8319-320



## SPECIFICATION

| Code                      | 8319-220  | 8319-320 | 8319-520                      | 8319-620 | 8319-1020 | 8319-1520 |
|---------------------------|---|----------|-------------------------------|----------|-----------|-----------|
| Maximum weighing          | 220g  | 320g     | 520g                          | 620g     | 1020g     | 1520g     |
| Minimum weighing          | 20mg  | 20mg     | 100mg                         | 100mg    | 100mg     | 100mg     |
| Resolution (d)            | 1mg   | 1mg      | 1mg                           | 1mg      | 1mg       | 1mg       |
| Verification interval (e) | 10mg  | 10mg     | 10mg                          | 10mg     | 10mg      | 10mg      |
| Accuracy (m is load)      | m≤50g: ±5mg<br>50g<m≤200g: ±10mg<br>m>200g: ±15mg |          | m≤500g: ±5mg<br>m>500g: ±10mg |          |           |           |
| Weighing pan size (Ød)    | Ø80mm   |          |                               |          | Ø120mm    |           |
| Operation temperature     | 15~30°C   |          | 18~23°C                       |          |           |           |
| Operation humidity        | 40~80%% RH  |          | 50%~70% RH                    |          |           |           |
| Power supply              | 220V, 50/60Hz                                     |          |                               |          |           |           |
| Dimension (L×W×H)         | 330×210×340mm                                     |          |                               |          |           |           |

## STANDARD DELIVERY

|                    |      |
|--------------------|------|
| Main unit          | 1 pc |
| Calibration weight | 1 pc |

## OPTIONAL ACCESSORY

|                                      |                   |
|--------------------------------------|-------------------|
| RS232 cable                          | 8301-CABLE*       |
| Printer                              | 8303-PRINTER      |
| Data output cable (keyboard format)  | 7302-8001 page 14 |
| Wireless transmitter (need receiver) | 7315-8301 page 6  |

\* Used to connect computers